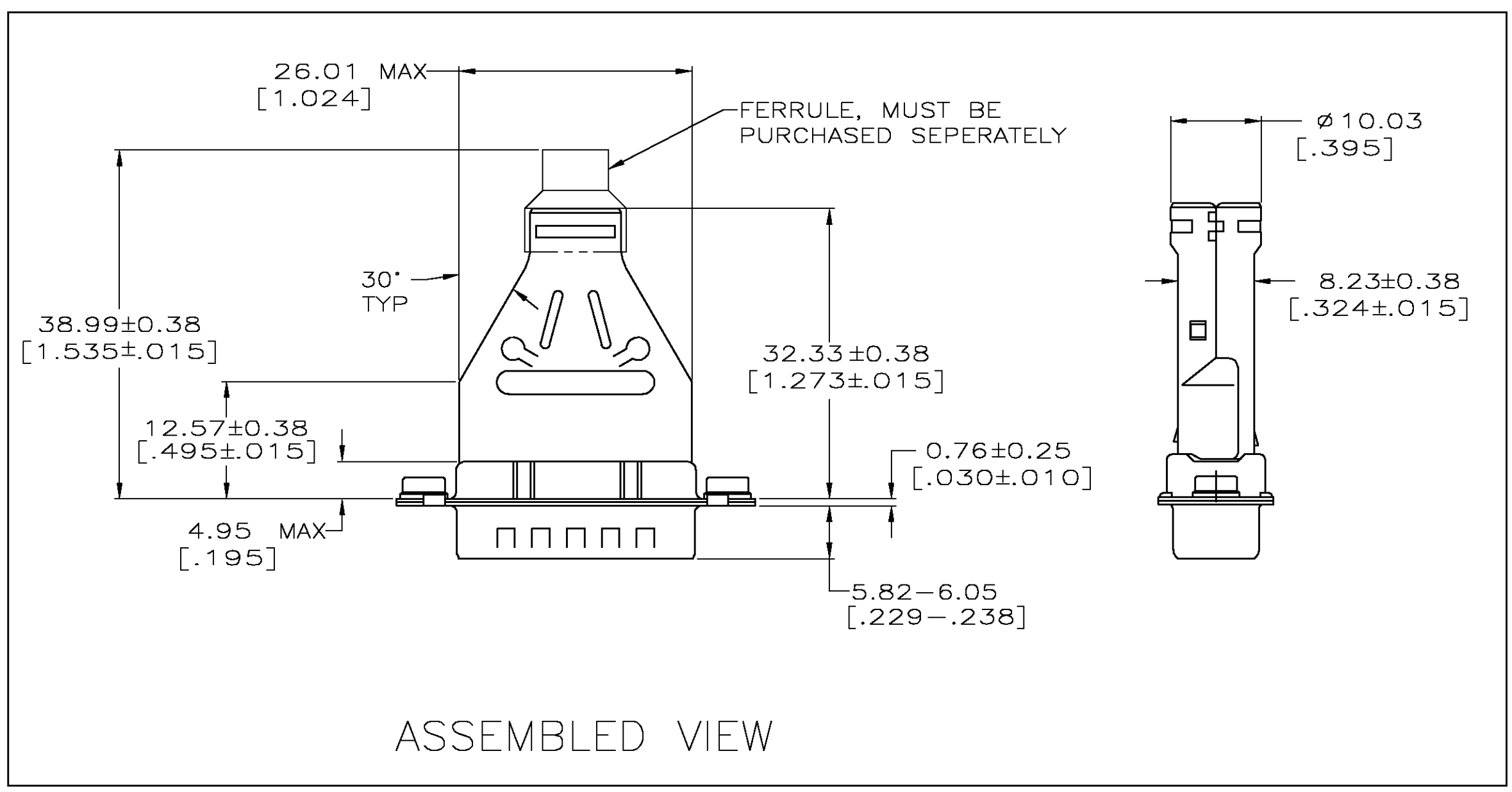
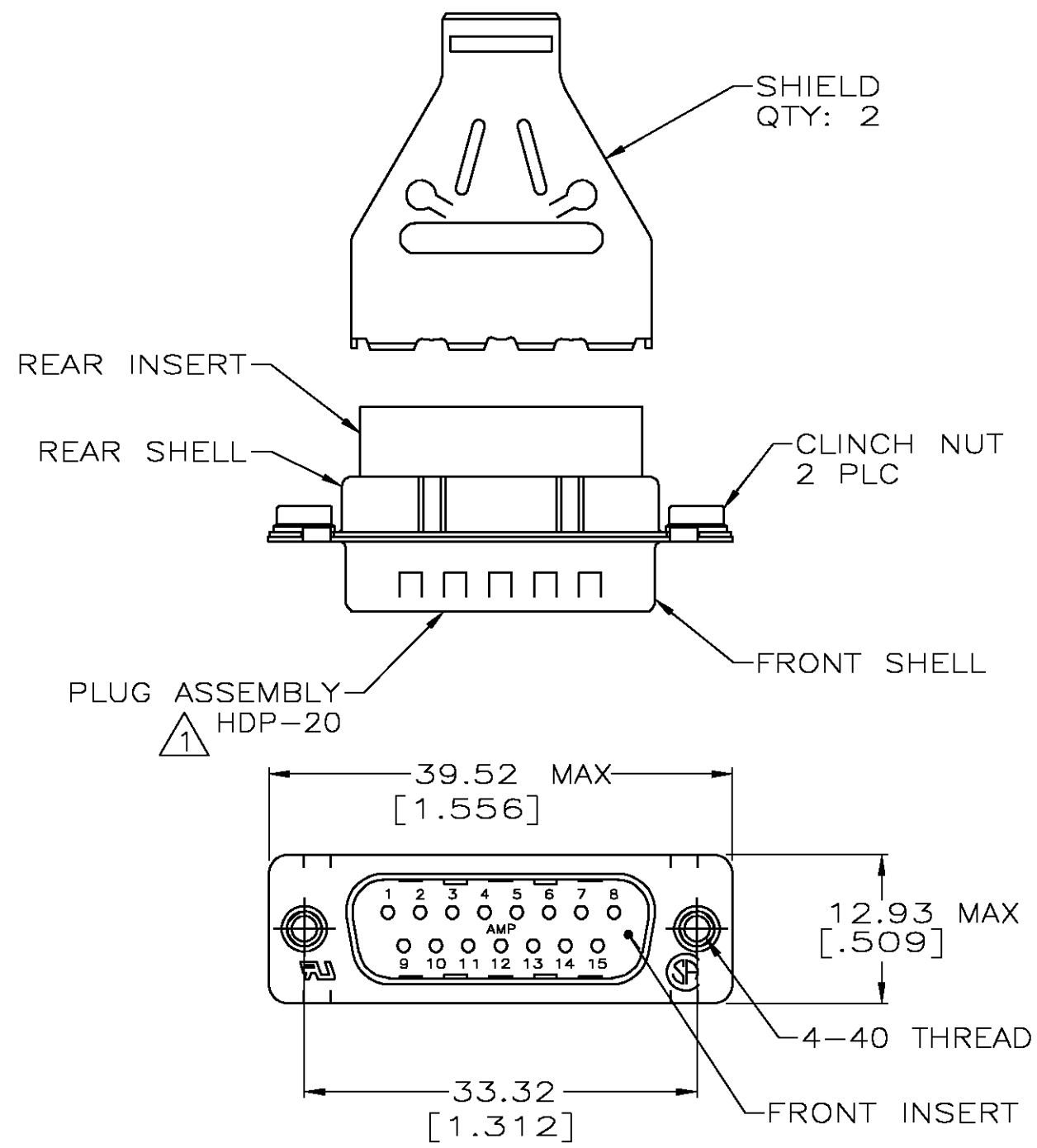


LOC	DIST	REVISIONS			
P	LTR	DESCRIPTION	DATE	DWN	APVD
GP	00	0	RELEASED PER EC 0513-0257-04	11-11-04	GA JG



- ① PLUG ACCEPTS SIZE 20 DF PIN CONTACTS. CONTACTS MUST BE PURCHASED SEPARATELY.
- ② SHELLS, SHIELDS & CLINCH NUTS: CARBON STEEL.
- ③ SHELLS & SHIELDS: 5.08 μm [.000200] MIN TIN OVER 2.54 μm [.000100] MIN COPPER.
- ④ INSERTS: NYLON, UL 94V-0 RATED, GLASS FILLED, BLACK.
- ⑤ CLINCH NUTS: ZINC PLATED, CLEAR CHROMATE.

5750636-1
PART NO

THIS DRAWING IS A CONTROLLED DOCUMENT.		DWN G. ATTADIA - DOCK5 11-11-04	Tyco Electronics Corporation Harrisburg, PA 17105-3608	
DIMENSIONS: mm [INCHES]		CHK J. GERACE 11-11-04	NAME M. WALMSLEY	
TOLERANCES UNLESS OTHERWISE SPECIFIED:		APVD M. WALMSLEY 11-11-04	PRODUCT SPEC 108-40005 & 108-40030	
0 PLC ± - 1 PLC ± - 2 PLC ± 0.13 [.005] 3 PLC ± - 4 PLC ± -		APPLICATION SPEC 114-40030		RESTRICTED TO
MATERIAL ② ④		WEIGHT -		SIZE A2
FINISH ③ ⑤		CUSTOMER DRAWING		CAGE CODE 00779
		DRAWING NO 5750636		SCALE 2:1
		SHEET 1 OF 1		REV 0

5750636